

## *Pressurized Gas Control Panel*

### Elements

- Inlet and outlet pressure gauges  
0-300 psig (0 kPa-2067 kPa)
- 250 psi maximum working pressure
- Flows to 27 cfm (764 lpm) at 150 psig  
(1035 kPa)
- Quarter-turn shutoff valve
- Remote outlet capability
- Factory pre-piped assembly
- Adjusts for plaster variations to 3/4"



Metal Faceplate



Polymer Faceplate

### Description

Pressurized Gas Control Panel shall be designed to deliver variable pressures to power pneumatic surgical tools. The unit shall have inlet supply gauge, 0-300 psig (0 kPa to 2067 kPa) to indicate the supply line pressure.

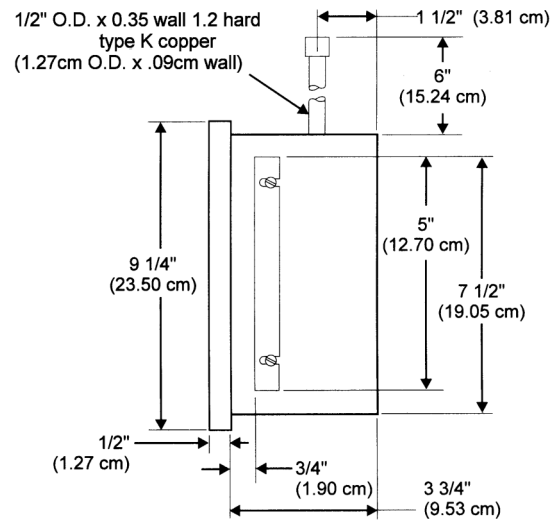
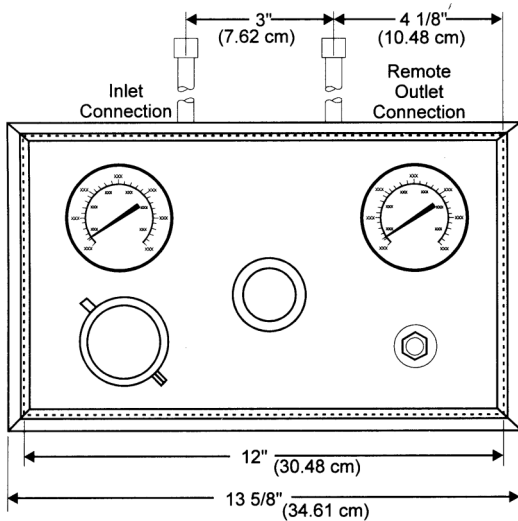
Located immediately upstream of this gauge shall be a supply line shut off valve, rated at not less than 250 psig (1722.5 kPa) pressure. A quarter turn of the valve handle shall be required to obtain a fully open or closed position.

An adjustable relieving type pressure regulator with an operating range of 0-250 psig (0 kPa to 17.55 kPa) shall provide required pressure to the gas service outlet.

There shall be an outlet supply gauge, 0-300 psig (0 kPa to 2067 kPa) to give indication of the outlet pressure being supplied to the outlet(s). The pressurized control panel shall be pre-piped internally, requiring only external supply line connection(s).

Additional outlets in the same room may be connected to the remote outlet pigtail furnished in the control panel. Remote outlets shall be regulated by the adjustable pressure regulator within the panel and shall match the pressurized control panel outlet.

**Dimensional Data**



**Ordering Information**

Panel Type	Outlet Fitting	Faceplate Construction	Part Number	Quantity
Nitrogen	DISS	Metal	75-20-0005	
Nitrogen	DISS	Polymer	75-20-0005-P	
Nitrogen	DYNA-CON	Metal	75-20-0006	
Nitrogen	DYNA-CON	Polymer	75-20-0006-P	
Nitrogen	SCHRADER	Metal	75-20-0007	
Nitrogen	SCHRADER	Polymer	75-20-0007-P	
Instrument Air	DISS	Metal	75-20-0008	
Instrument Air	DISS	Polymer	75-20-0008-P	

All specifications are nominal and subject to change without notice.

Warranty:  
See Allied Statement of Warranties for details.

© 2013 Allied Healthcare Products, Inc.® Printed in USA

*Customer Service:*

USA: (800) 444-3960  
 FAX: (314) 771-7537  
 Canada/Mexico: (800) 446-0552  
 FAX: (800) 246-6201  
 International: (314) 268-1683  
 FAX: (314) 771-5183



1720 Sublette Avenue  
 St. Louis, MO 63110 USA  
 (314) 771-2400  
 www.alliedhpi.com  
**ISO 9001 CERTIFIED**